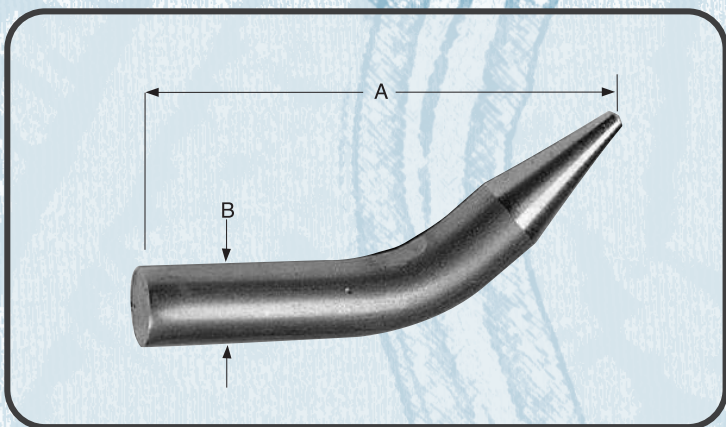


PUNTONE PER GANCERA INOX AISI 420

SPRAG FOR HOOK SUPPORT AISI 420 STAINLESS STEEL

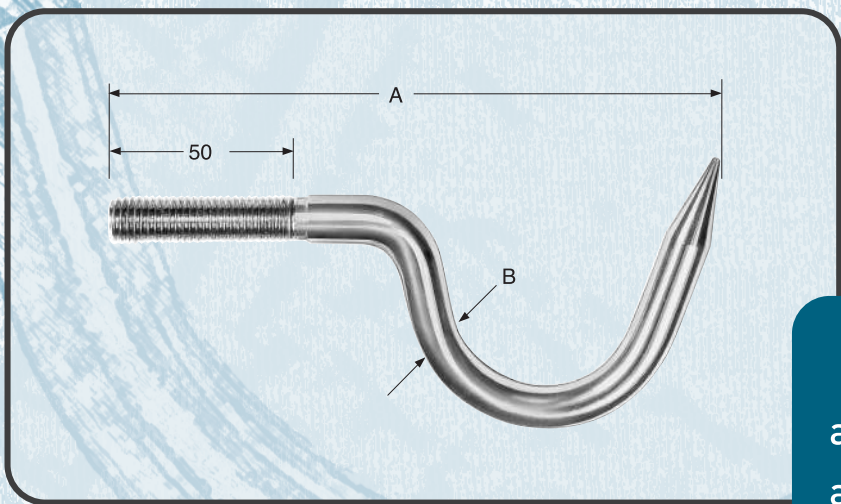
	A	B
art.211	100	12
art.211/1	140	15
art.211/2	150	18



	A	B Ø
art.212	55	8
art.212/1	70	10

PUNTONE PER CARRELLI PORTA LOMBI INOX AISI 304

SPRANG FOR RUNNERS FOR LOIN AISI 304 STAINLESS STEEL



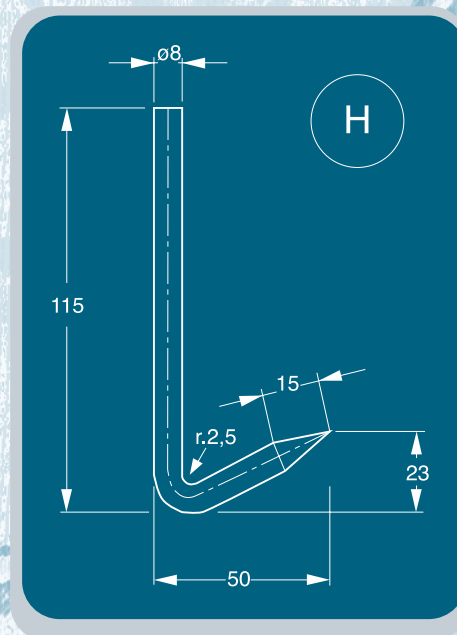
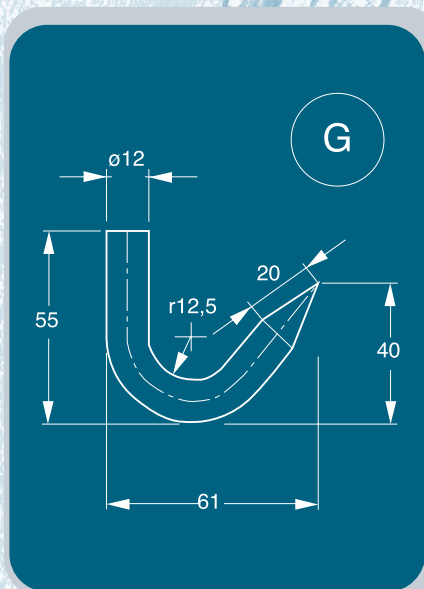
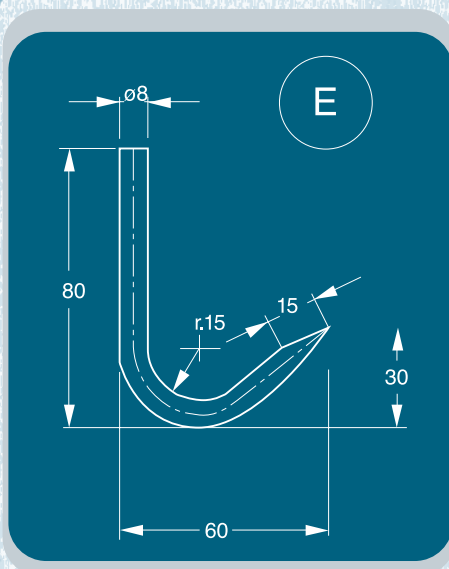
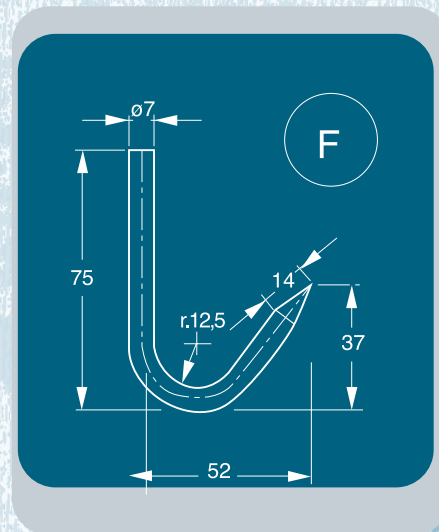
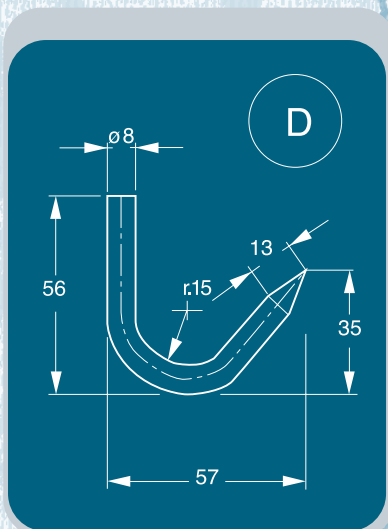
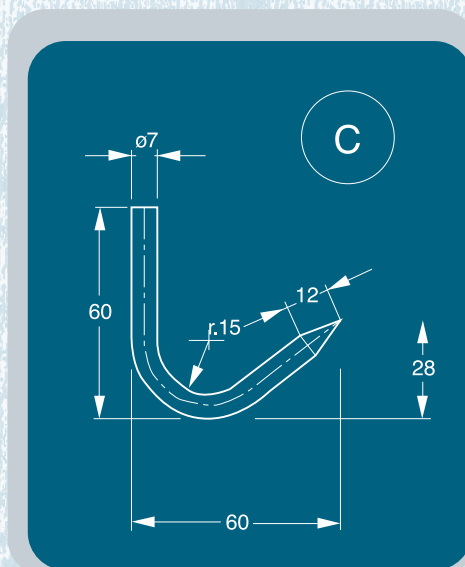
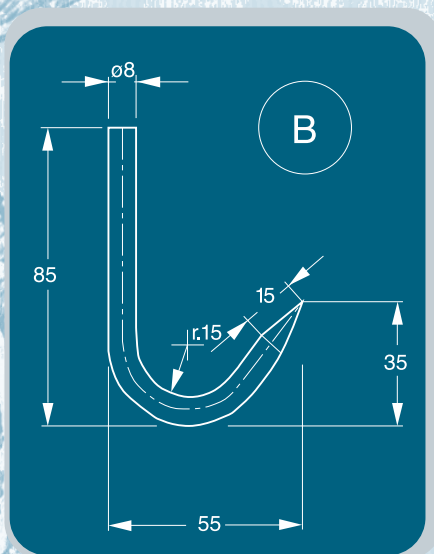
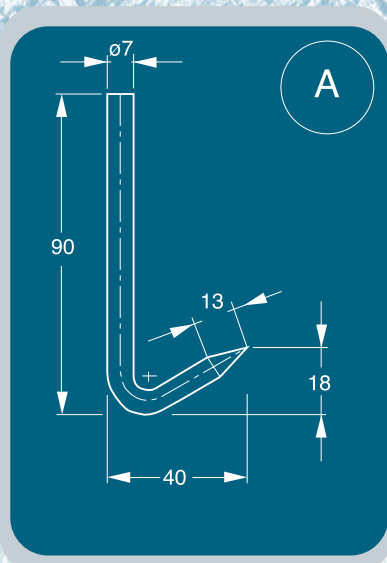
GANCIO SAGOMATO PER GANCERA INOX AISI 420

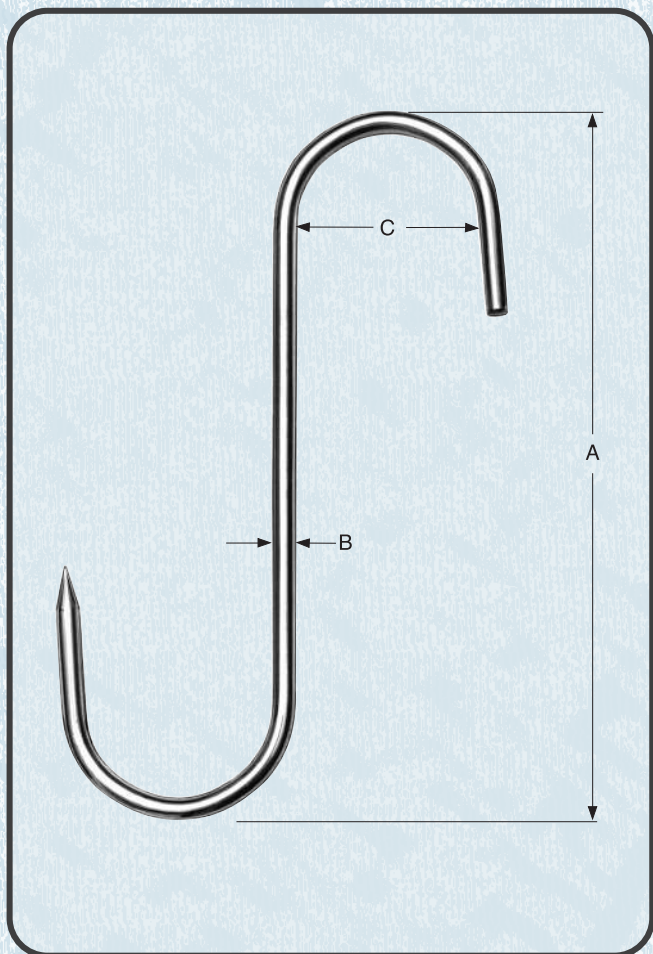
SHAPED HOOK FOR HOOK SUPPORT AISI 420 STAINLESS STEEL

	A	B Ø
art.211/3	140	10
art.211/4	150	12

GANCI PER CARRELLI PORTA LOMBI, PANCETTA, SPALLE, PROSCIUTTI COSTRUITI SU MISURA

HOOKS FOR RUNNERS FOR LOIN, BACON, SHOULDER, HAM, MADE TO MEASURE HOOKS





art.218

GANCIO AD "S" INOX AISI 420

"S" HOOK AISI 420 STAINLESS STEEL

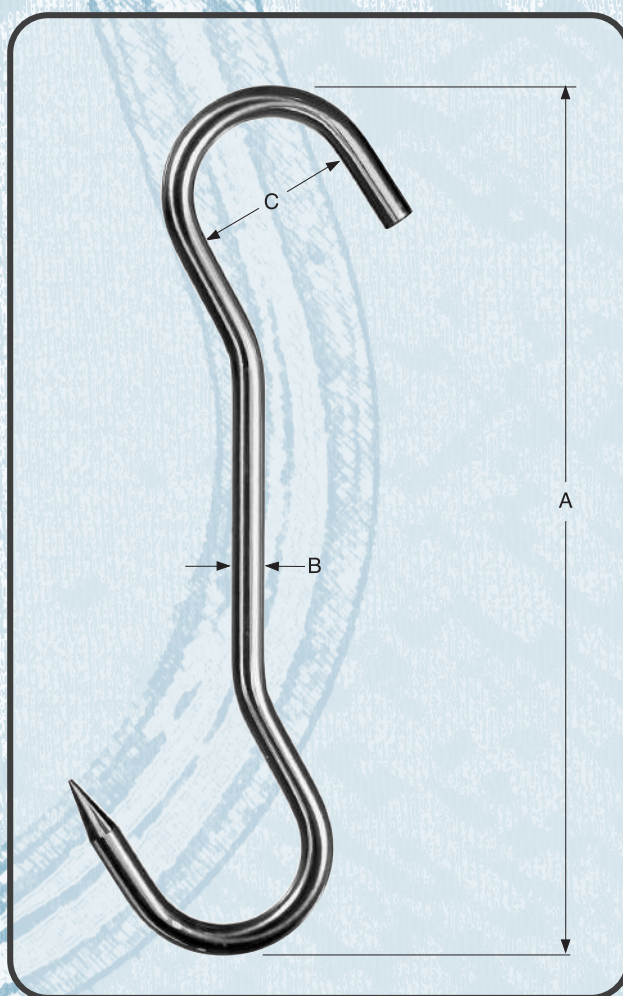
art.218	A	B \varnothing	C \varnothing
art.218	80	3	32
art.218/1	80	4	38
art.218/2	100	4	38
art.218/4	120	5	38
art.218/5	140	5	38
art.218/7	140	6	38
art.218/8	160	6	38
art.218/9	180	6	38
art.218/10	180	7	38
art.218/11	180	8	38
art.218/12	200	8	38
art.218/13	200	10	45
art.218/14	220	10	45

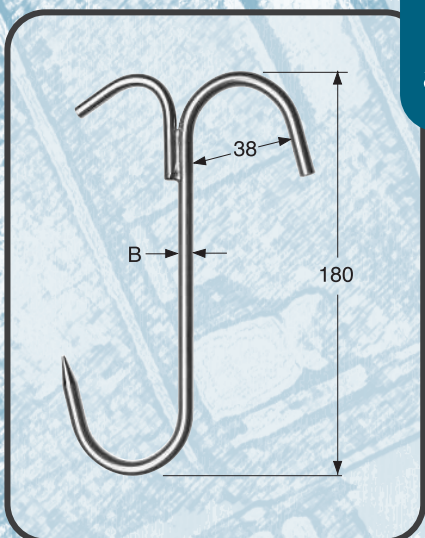
art.219

GANCIO AD "S" CON BARICENTRO
INOX AISI 420

"S" HOOK WITH CENTRE OF GRAVITY
AISII 420 STAINLESS STEEL

art.219	A	B \varnothing	C \varnothing
art.219	300	12	52
art.219/1	400	12	52
art.219/2	500	12	52
art.219/3	600	12	52
art.219/4	700	12	52
art.219/5	800	12	52
art.219/6	900	12	52
art.219/7	1000	12	52





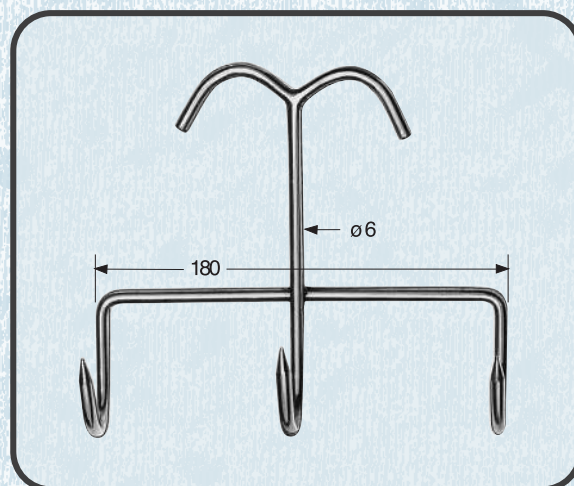
art.220
art.220/2

B	∅
7	
6	

art.220

GANCIO PER PROSCIUTTO INOX AISI 304

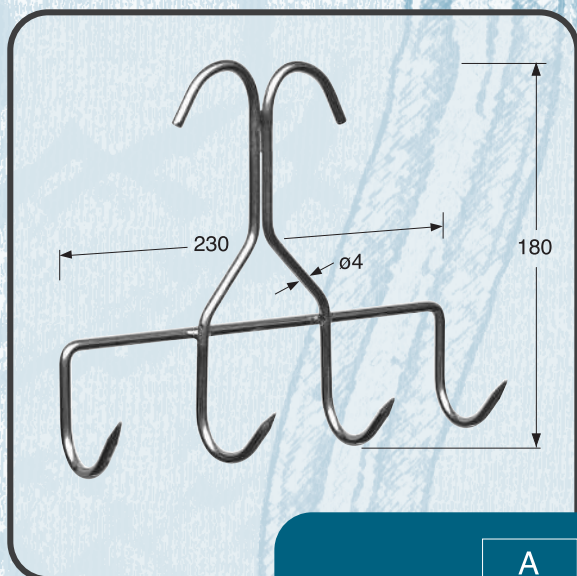
HOOK FOR HAM AISI 304 STAINLESS STEEL



art. 221/1

GANCIO APPENDI PANCETTA A 3 PRESE INOX AISI 430

HOOK FOR BACON WITH 3 PRONGS AISI 430 STAINLESS STEEL



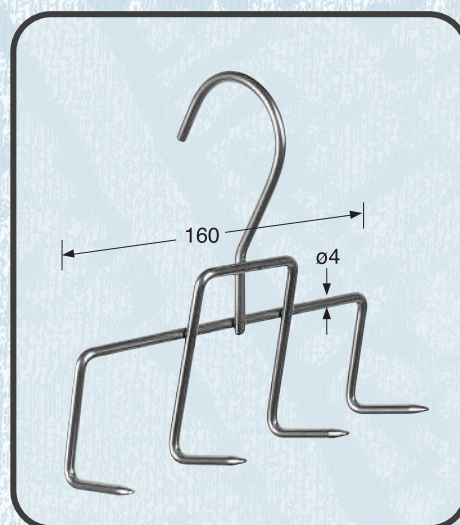
art.221
art.221/2

A
240
180

art. 221

GANCIO APPENDI PANCETTA A 4 PRESE INOX AISI 430

HOOK FOR BACON WITH 4 PRONGS AISI 430 STAINLESS STEEL



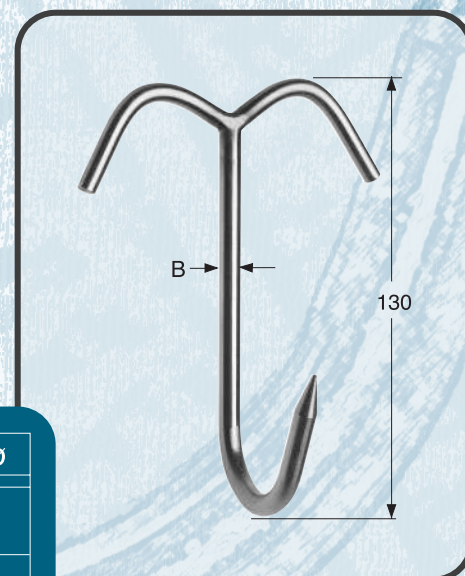
art. 222

GANCIO PER SPEAK A 4 PRESE, INOX AISI 430

HOOK FOR SMOKED HAM WITH 4 PRONGS AISI 430 STAINLESS STEEL

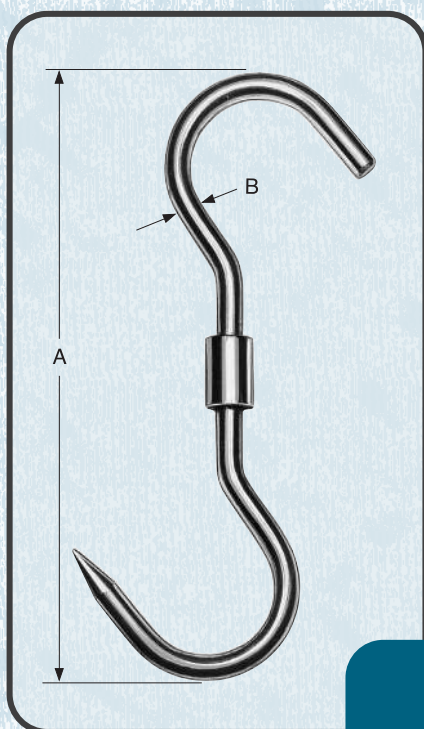
art. 223

**GANCIO ANCORA
ANCHOR HOOK**



art. 223
INOX
art. 223/1
FE ZINCATO

B	∅
7	
8	

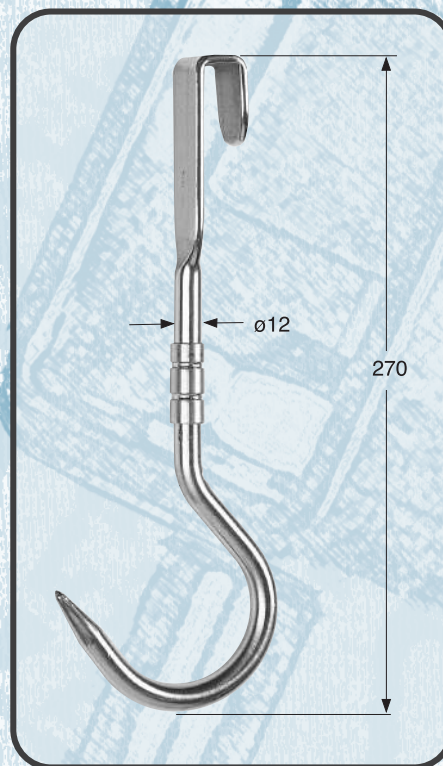


art. 224

GANCIO GIREVOLE INOX
AISI 420

REVOLVING HOOK AISI 420
STAINLESS STEEL

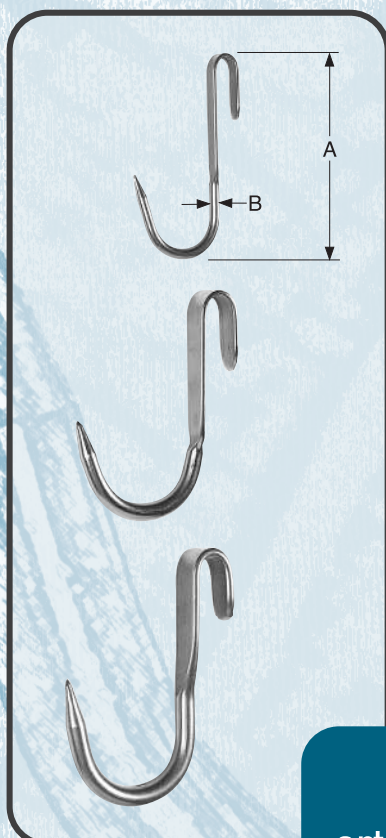
	A	øB
art.224	240	10
art.224/1	270	12
art.224/2	500	12



art.225/3

GANCIO PER GANCERA PIATTA GIREVOLE
INOX AISI 304

REVOLVING HOOK FOR FLAT HOOK
SUPPORT AISI 304 STAINLESS STEEL



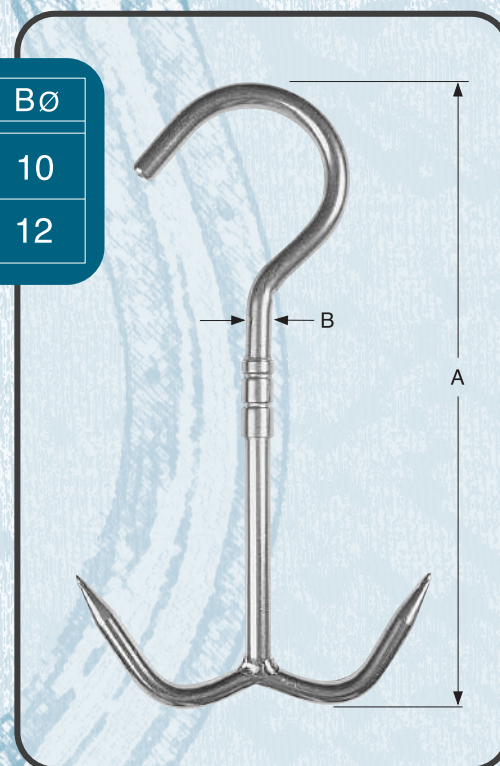
art. 225

GANCIO PER GANCERA
PIATTA INOX AISI 304

HOOK FOR HOOK SUPPORT
FLAT AISI 304 STAINLESS
STEEL

	A	øB
art.225	100	6
art.225/1	120	9
art.225/2	140	12

	A	Bø
art.228	240	10
art.228/1	270	12



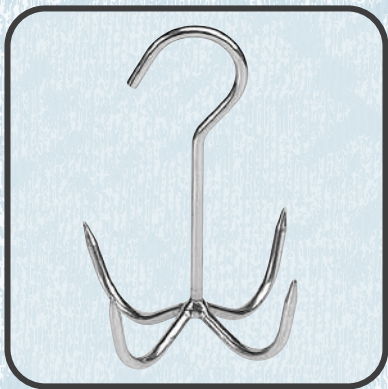
art. 228

GANCIO GIREVOLE AD ANCORA INOX
STAINLESS STEEL REVOLVING ANCHOR HOOK



art.226
BATTICARNE INOX
STAINLESS MEAT-BEATER

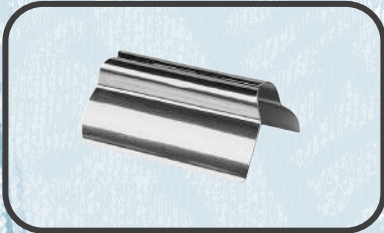
art.226	0,8 Kg
art.226/1	1 Kg
art.226/2	1,5 Kg
art.226/3	1,7 Kg
art.226/4	2 Kg
art.226/5	2,5 Kg



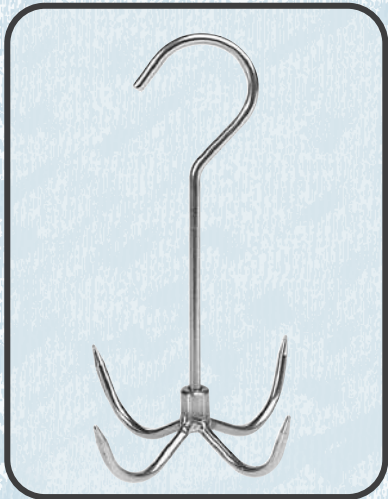
art.229
GANCIO A 4 PRESE 160x6, INOX AISI 430
HOOK WITH 4 PRONGS 160x6, AISI 430 STAINLESS STEEL



art.232
SEGNA PREZZI
PRICE TAG



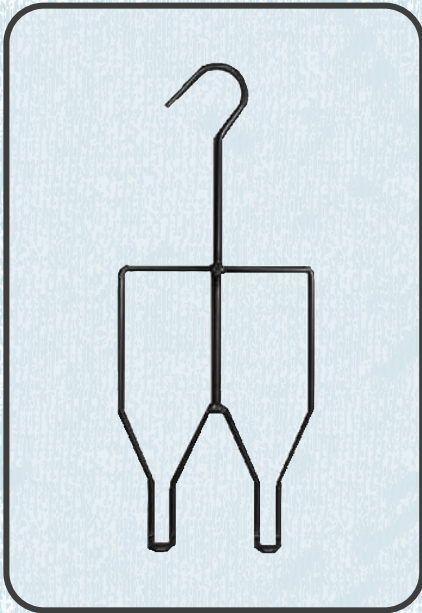
art.232
PINZA INOX PER AFFETTATI
STAINLESS STEEL PLIERS FOR SLICED MEAT



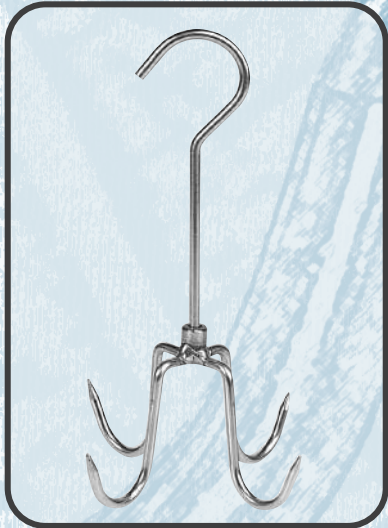
art.230
GANCIO A 4 PRESE 220x6, INOX AISI 430
HOOK WITH 4 PRONGS 220x6, AISI 430 STAINLESS STEEL



art. G-CAM
CARRUCOLA SCORREVOLE A PATTINO PER GUIDOVIA CAMION CON GANCIO A DOPPIO SNODO IN ACCIAIO INOX.

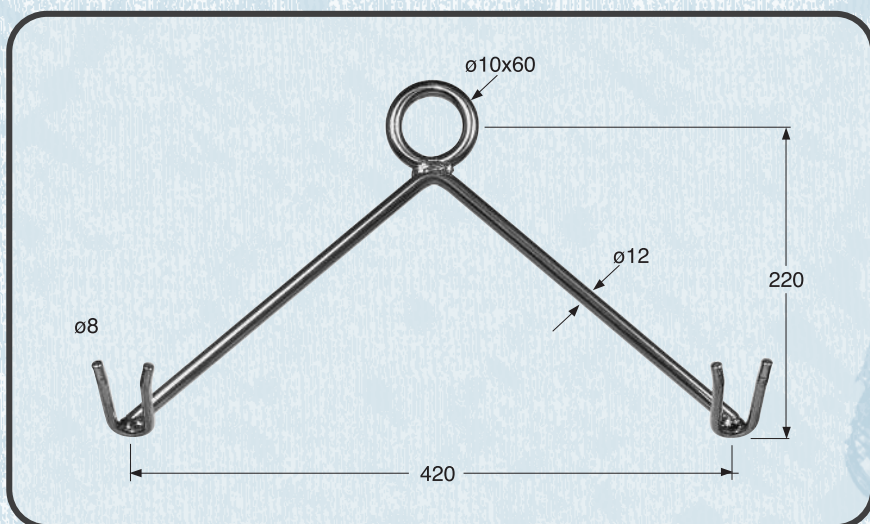


art. 0000
GANCIO PER SETTORE AVICUNICOLO DISPONIBILE IN DIVERSI MODELLI, CON MISURE A RICHIESTA, IN ACCIAIO INOX, O IN FERRO ZINCATO.



art.231
GANCIO A 4 PRESE 320x6, INOX AISI 430
HOOK WITH 4 PRONGS 320x6, AISI 430 STAINLESS STEEL

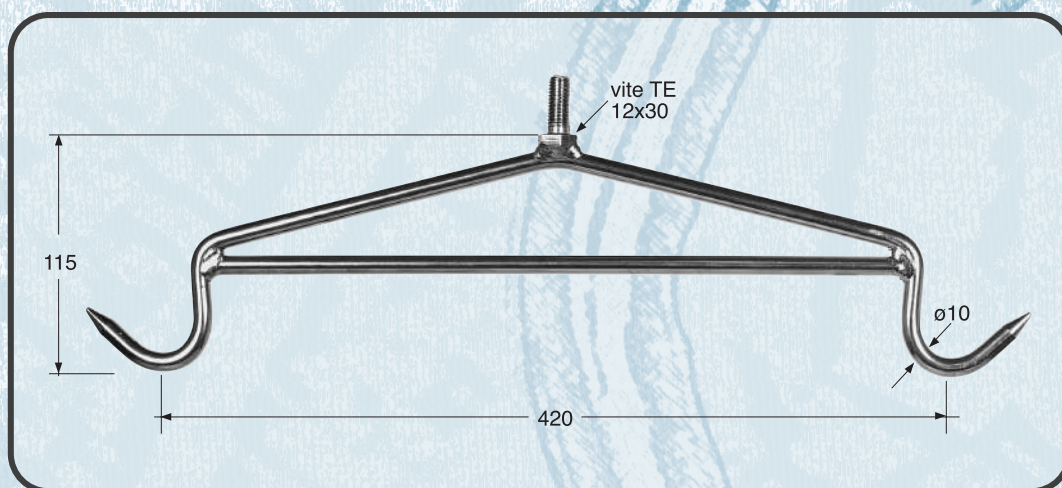
INGLESE



art. 217

BILANCERE PER AGNELLI
 Ø12 INOX AISI 304, CON FORCELLE

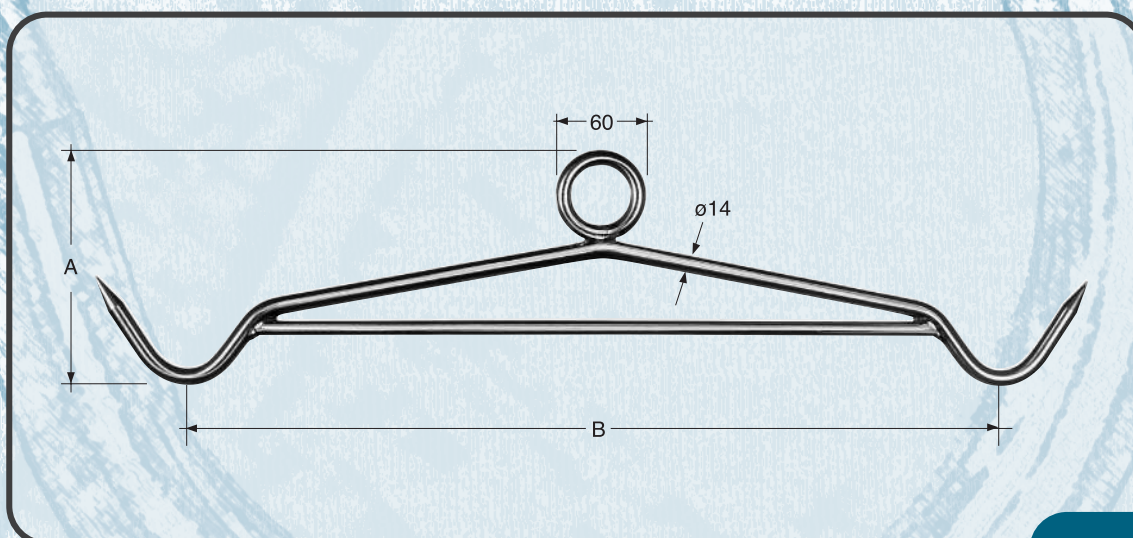
GAMBREL LAMBS
 Ø12 AISI 304 STAINLESS STEEL,
 WITH FORKS



art. 217/1

BILANCERE PER AGNELLI
 Ø10 INOX AISI 304

GAMBREL FOR LAMBS
 Ø10 AISI 304 STAINLESS STEEL



art. 217/1

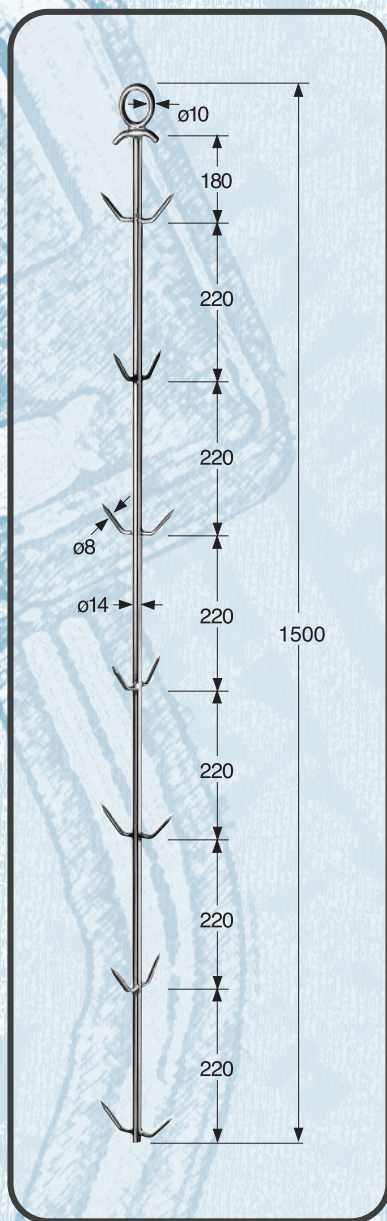
BILANCERE CON ANELLO
 INOX AISI 304

GAMBREL WITH RING,
 AISI 304 STAINLESS
 STEEL

art. 227

art. 227/1

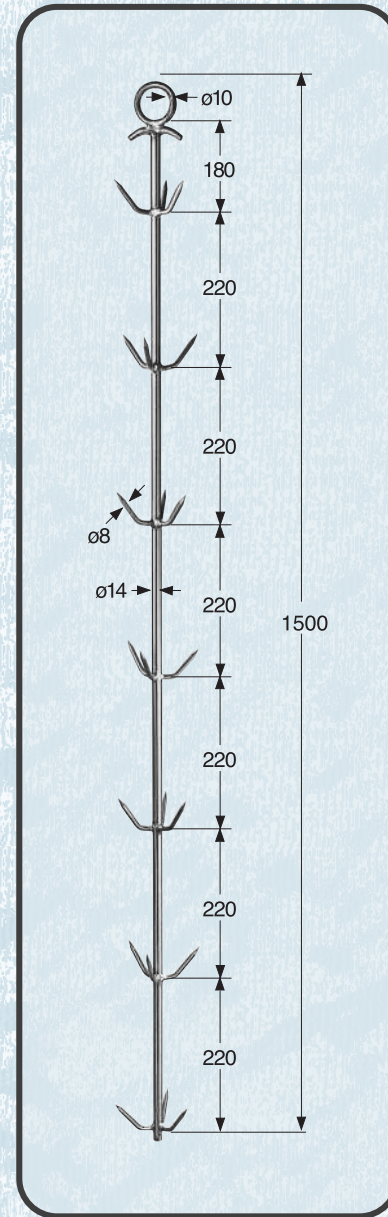
A	B
140	420
160	600



art.215

ASTA PORTA PROSCIUTTI
 Ø14x1500 INOX AISI 304,
 A 7 PIANI CON 2 GANCI
 PER PIANO

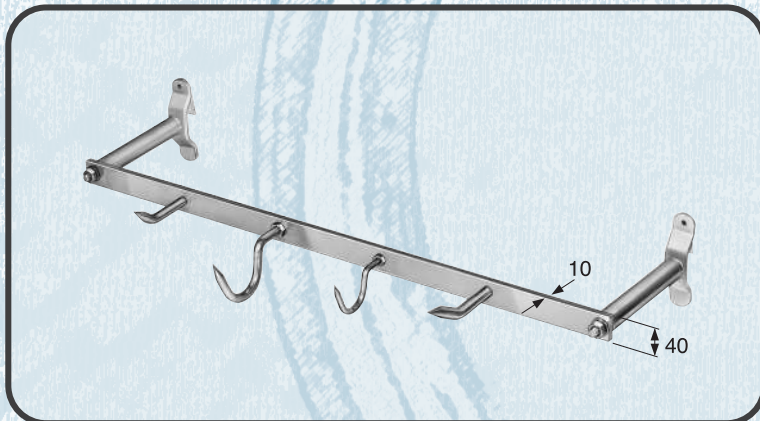
ROAD FOR HAM
 Ø14x1500 AISI 304
 STAINLESS STEEL WITH 7
 LEVELS WITH 2 HOOKS
 PER LEVEL



art.215/1

ASTA PORTA PROSCIUTTI
 Ø14x1500 INOX AISI 304,
 A 7 PIANI CON 3 GANCI
 PER PIANO

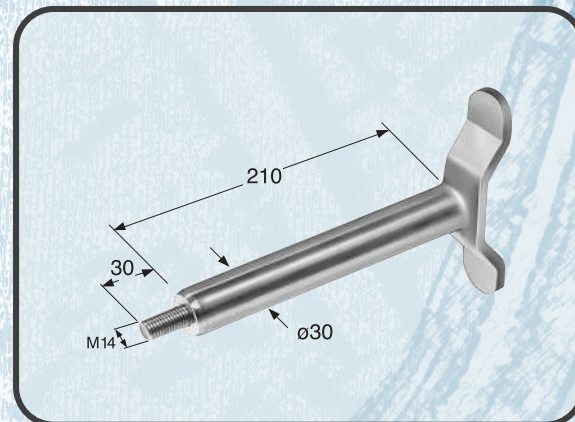
ROAD FOR HAM
 Ø14x1500 AISI 304
 STAINLESS STEEL
 WITH 7 LEVELS
 WITH 3 HOOKS PER
 LEVEL



art.216/1

GANCERA IN PIATTO
 40x10 INOX AISI 304 CON MENSOLE E PUNTONI Ø15x140

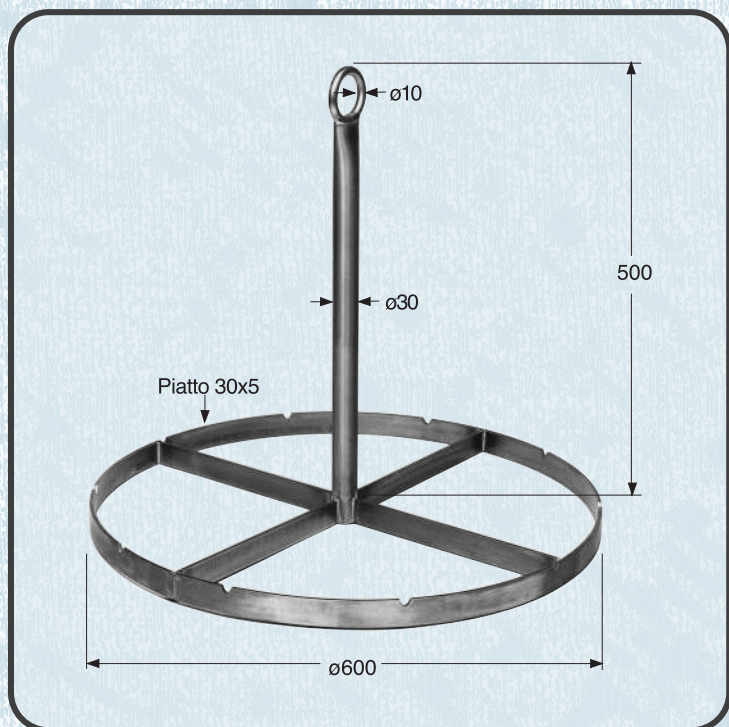
HOOK SUPPORT
 FLAT AISI 304 STAINLESS STEEL 40x10 WITH BRACKETS AND SPRAGS
 Ø15x140



art.216/2

MENSOLA PER GANCERA INOX AISI 304

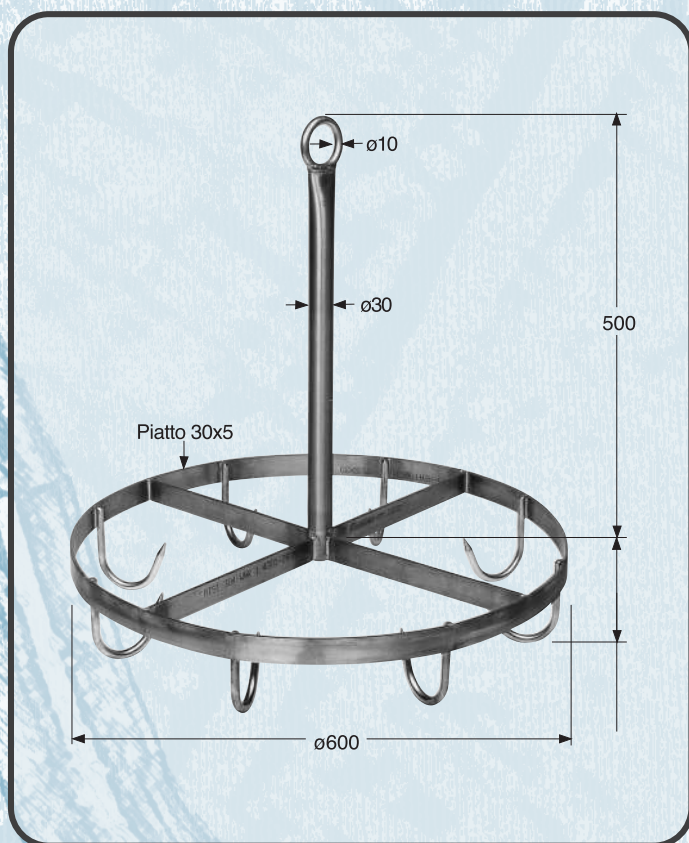
**BRACKET FOR HOOK SUPPORT AISI 304
 STAINLESS STEEL**



art.214/1

**GIOSTRA PORTA SALUMI
CON TACCHE SENZA GANCI, INOX AISI 304**

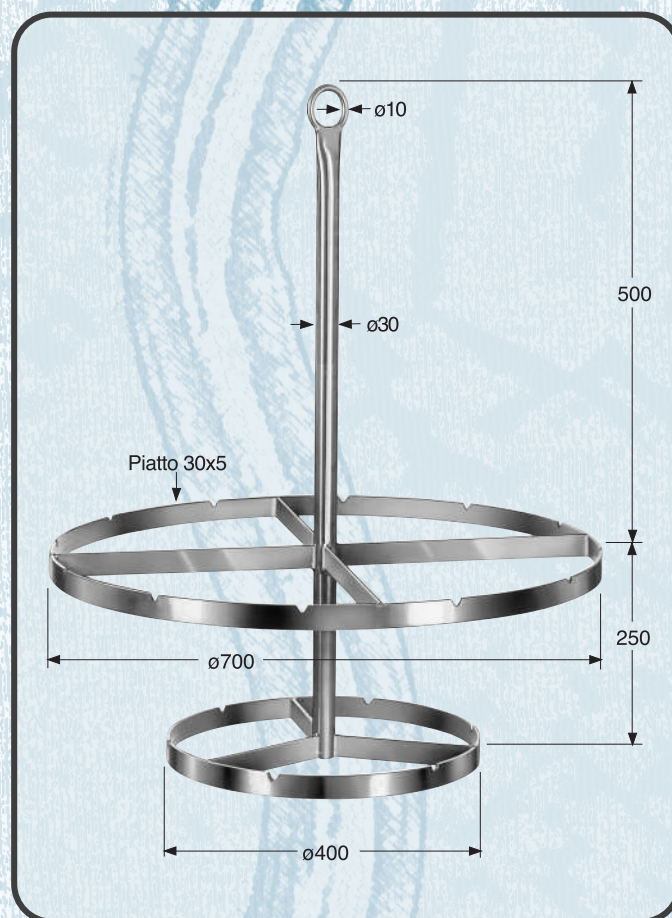
**ROUND HANG RACK FOR SALAMI
WITH NOTCHES WITHOUT HOOKS, AISI 304
STAINLESS STEEL**



art.214/2

**GIOSTRA PORTA TESTE, FRATTAGLIE O SALUMI
CON 8 GANCI ED ANELLO, INOX AISI 304**

**ROUND HANG RACK FOR HEADS, OFFAL OR SALAMI
WITH 8 HOOKS AND RING, AISI 304 STAINLESS STEEL**



art.214

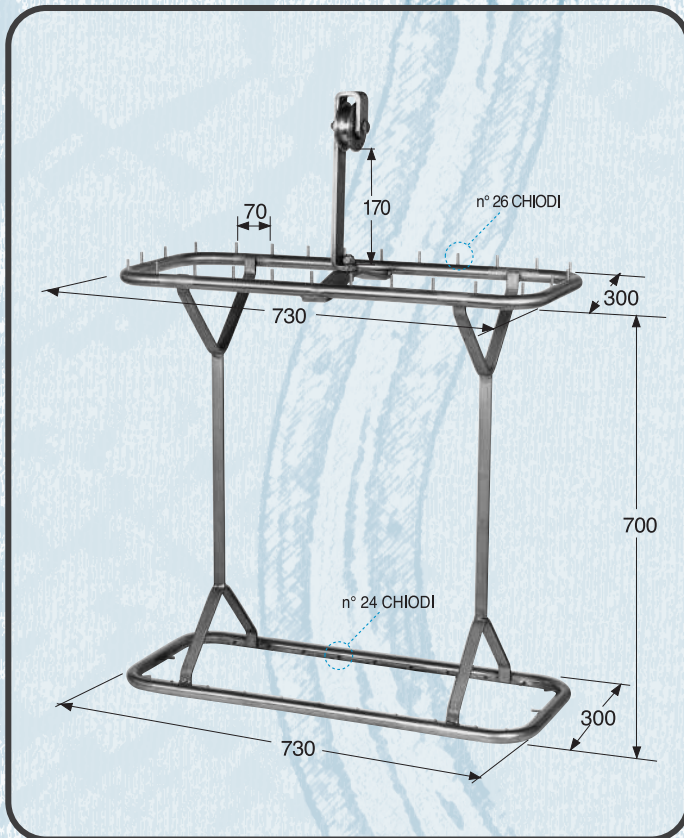
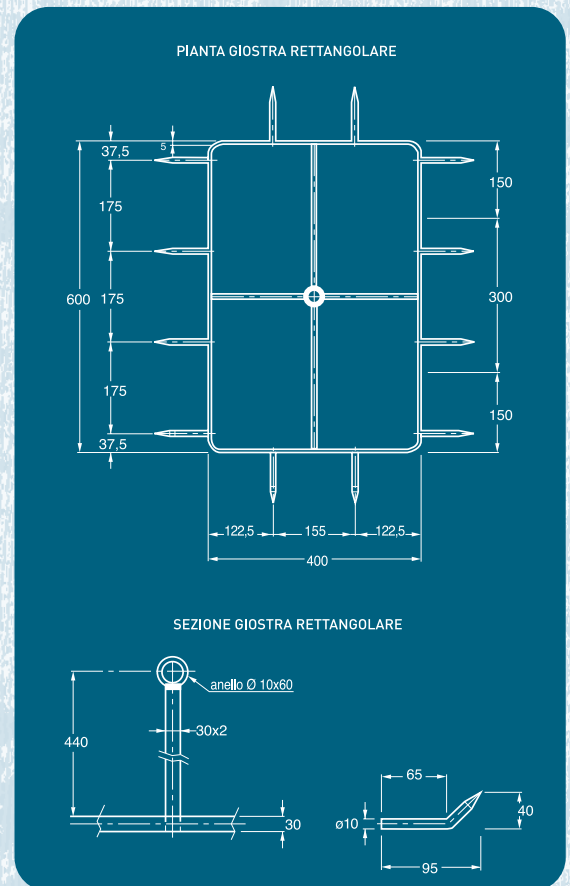
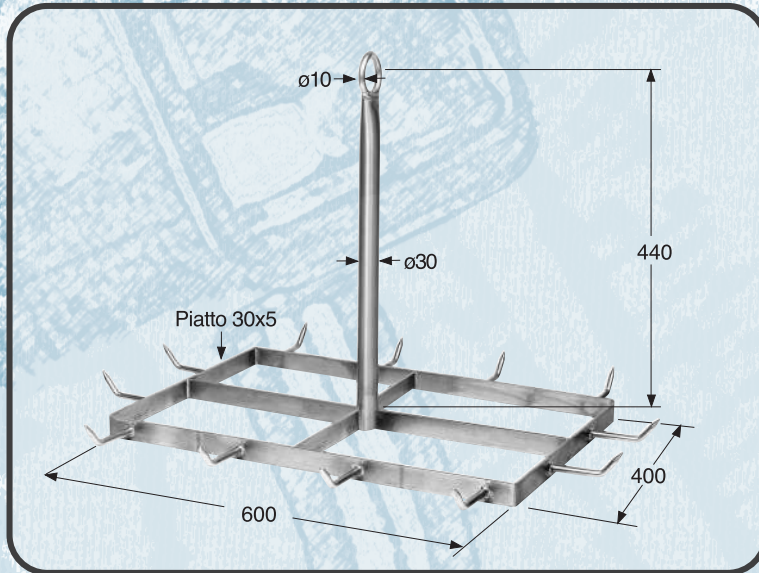
**GIOSTRA PORTA SALUMI O FRATTAGLIE
A 2 PIANI INOX AISI 304**

**ROUND HANG RACK FOR SALAMI OR OFFAL
WITH 2 LEVELS, AISI 304 STAINLESS STEEL**

art.217/2

GIOSTRA RETTANGOLARE
 Ø 600x400 CON 12 GANCI Ø10 INOX AISI 304

RECTANGULAR HANG RACK
 Ø600x400 WITH 12 HOOKS Ø10 AISI 304
 STAINLESS STEEL



art.214/3

GIOSTRA PORTA MORTADELLA
 A 2 PIANI CON O SENZA CARRUCOLA INOX AISI 304

ROUND HANG RACK FOR MORTADELLA
 WITH 2 LEVELS WITH OR WITHOUT RUNNER AISI 304
 STAINLESS STEEL



art.217/3

GIOSTRA RETTANGOLARE
 Ø 600x400 CON 14 TACCHE INOX AISI 304

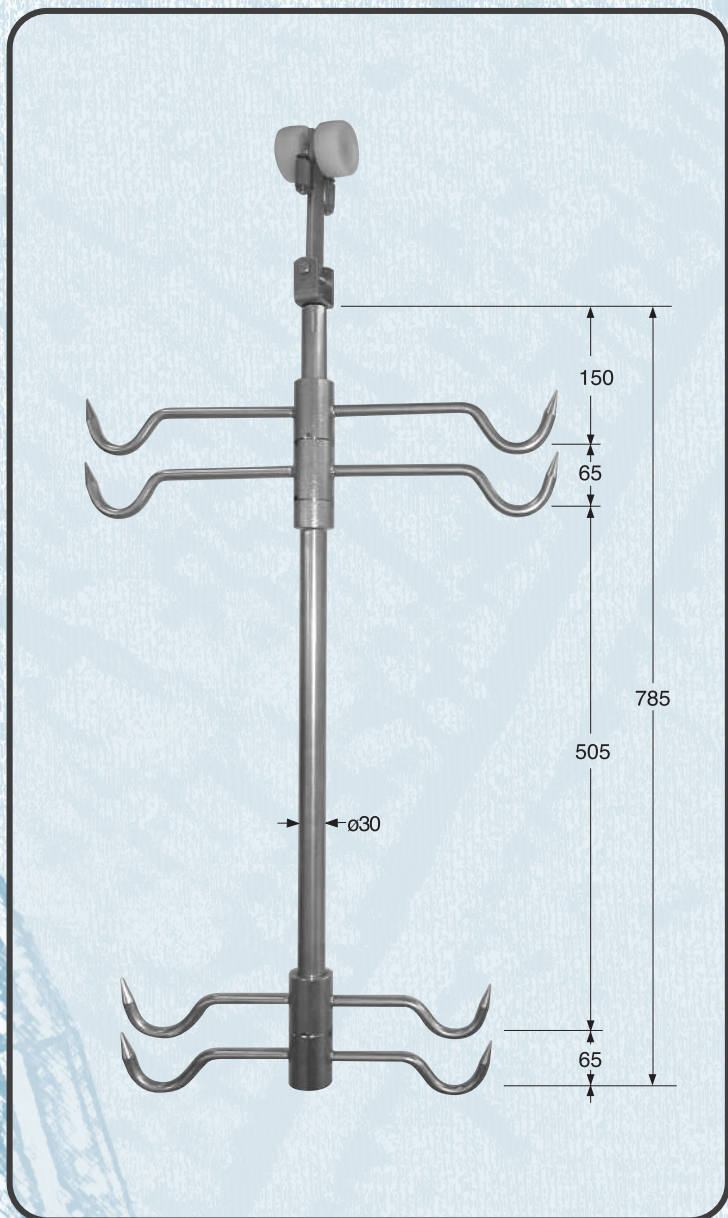
RECTANGULAR HANG RACK
 Ø 600x400 WITH 14 NOTCHES AISI 304 STAINLESS STEEL

art.214/8

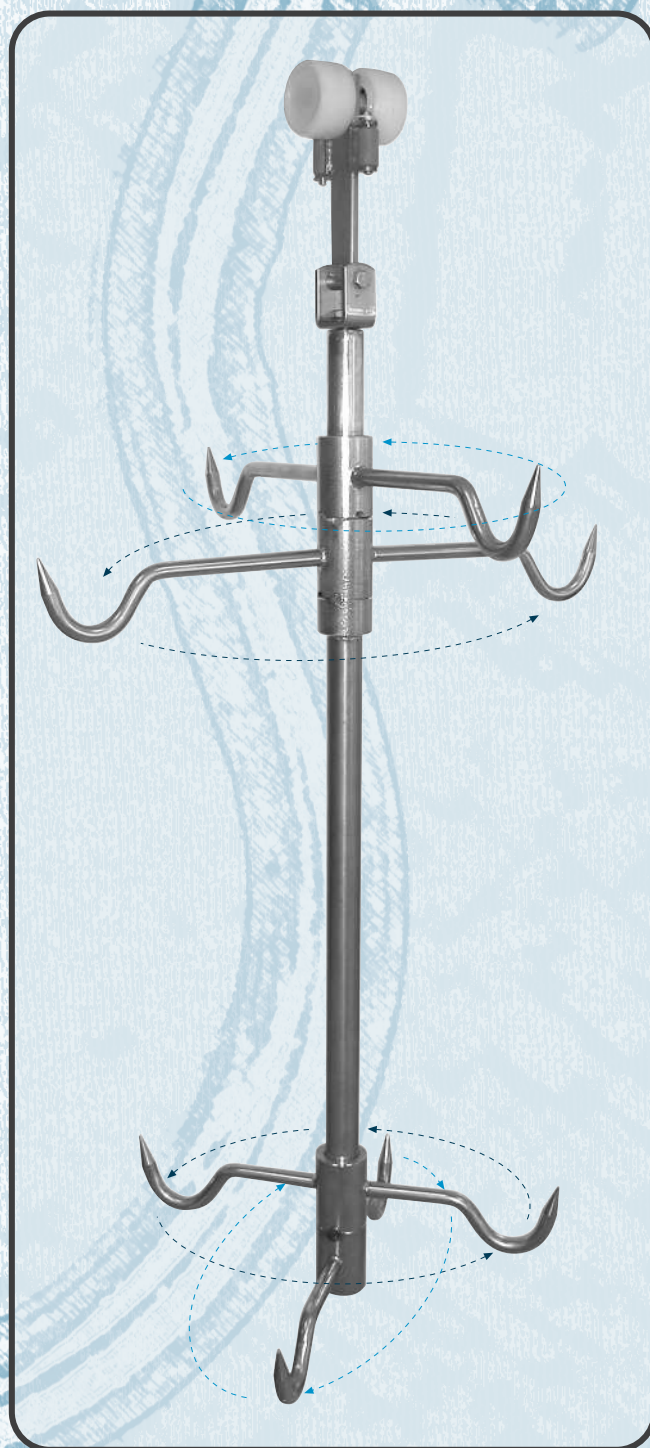
**GIOSTRA POSIZIONABILE AD INCASTRO INOX AISI 304
PORTA-OVINI (con rotazione di 360°) A 2 PIANI CON n°4
GANCI PER PIANO, ø 14.**

**POSIZIONABLE HANG-RUCK
FOR LAMBS AISI 304 STAINLESS STEEL WITH 2 LEVELS
WITH 4 HOOKS ø14 PER LEVEL.**

esempio modello chiuso
instance of closed model



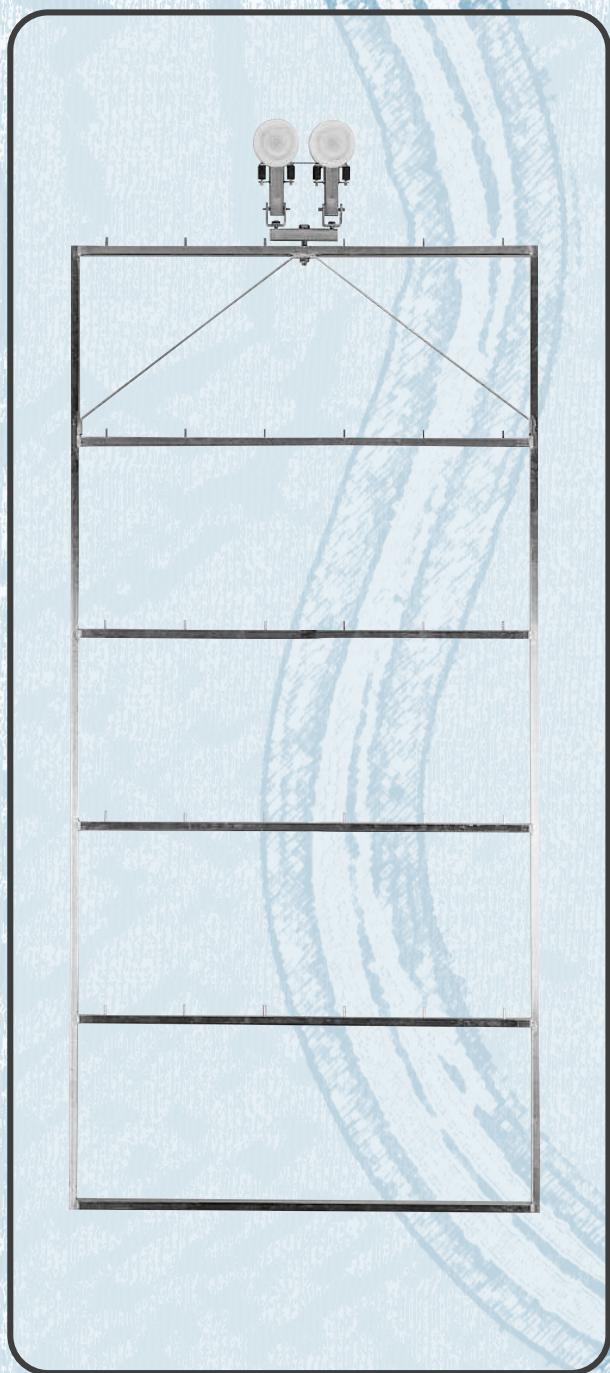
esempio modello aperto
instance of open model



art. 214/6

**TELAIO PORTA PROSCIUTTI
A 6 PIANI CON 6 CHIODI PER PIANO
COSTRUITA INTERAMENTE INOX AISI 304**

**6-TIER HAM HOLDING FRAME
WITH 6 STUDS/TIER TOTALLY MADE IN AISI
304 STAINLESS STEEL**



art. 214/4

**BILANCELLA PORTA INTERIORA SUINE
COSTRUITA INTERAMENTE IN ACCIAIO INOX
AIS I 304**

**HANG RACK FOR PORK BOWLES
ENTIRELY AISI 304 STAINLESS STEEL**

